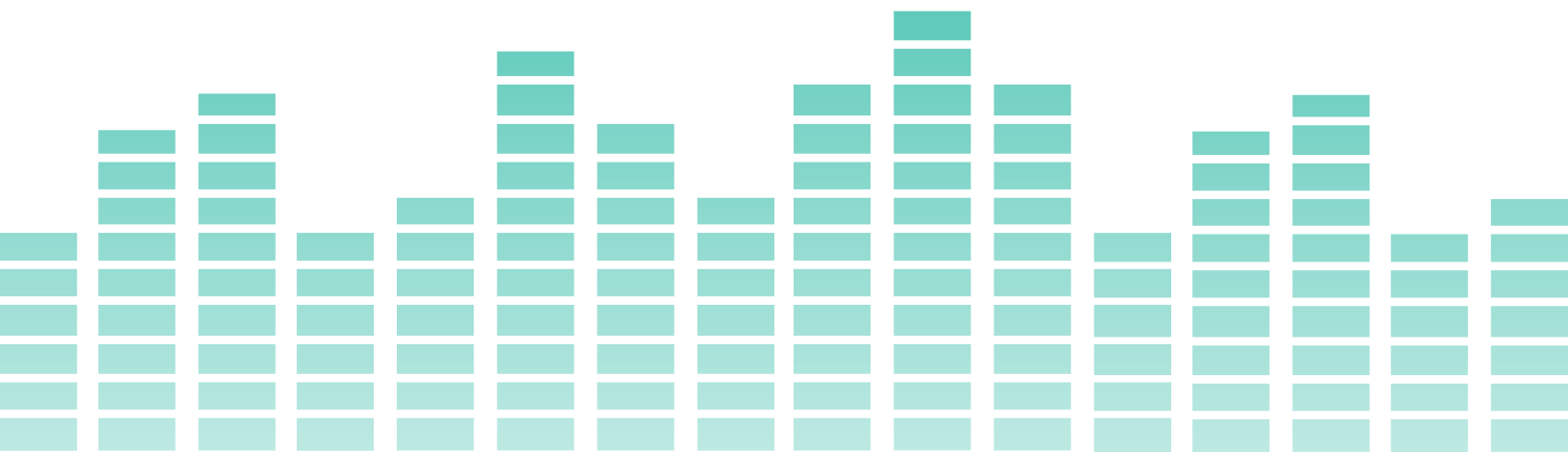


Name: OSA1218

SOUND ARTTM SPEAKER SERIES

Installation Guide & Operating Instructions



ART NEVER SOUNDED SO GOODTM

INTRODUCTION

Thank you for choosing *Bluetooth®* Sound Art™ by ONSIA®. These unique flat-panel speakers, concealed in Sound Art™ frames, have reliable, proven components and a proprietary design that will provide a truly enjoyable listening experience. *Bluetooth®* Sound Art™ speakers have been designed to be compatible with *Bluetooth®* wireless technology-enabled smartphones, laptops, tablets and PCs. We've developed this installation guide to give you step-by-step pointers for a successful do-it-yourself install. Please read this installation guide & operating instructions document completely before you start.

LIMITATION OF LIABILITY

DEDICATED SOUND AND AUDIO AND ITS AFFILIATES DO NOT MAKE ANY GUARANTEES, EXPRESSED OR IMPLIED, INCLUDING MERCHANT ABILITY AND FITNESS FOR PURPOSE, WITH RESPECT TO ANY OF THESE SUGGESTIONS OR INSTRUCTIONS. DEDICATED SOUND AND AUDIO SHALL NOT BE LIABLE FOR ANY SPECIAL, INDIRECT, INCIDENTAL OR CONSEQUENTIAL DAMAGES, INCLUDING BUT NOT LIMITED TO LOSS OF PROFITS, LOSS OF USE, COST OF REPLACEMENT, BREACH OF CONTRACT, INJURY, OR ANY OTHER CAUSE WHATSOEVER EVEN IF DEDICATED SOUND AND AUDIO HAS BEEN ADVISED OF THE POSSIBILITY OF SUCH DAMAGES.

IMPORTANT SAFETY INSTRUCTIONS

General Instructions



- Read these instructions before using or installing this product.
- Keep these instructions for future reference.
- Heed all warnings in this guide.
- Follow all instructions.
- Install and operate in accordance to this document's instructions only.

Fire and Electric Shock Hazard



- DO NOT open, dismantle, disassemble or modify speaker.
- DO NOT block any ventilation openings.
- DO NOT expose to excessive cold, heat, humidity or direct sunlight.
- DO NOT push objects into holes or any openings.
- ONLY use wall charger supplied.
- Turn off power in areas you'll be drilling when installing unit to avoid electric shock.

Safety Tips When Working on a Ladder



- Place ladder in a stable position close to where you will be working. Don't reach.
- Face ladder and always have two hands on the ladder when ascending or descending.
- Don't carry items up the ladder that could cause you to lose your balance and fall. Have someone hand you items once in a stable position.

FCC STATEMENT

This equipment has been tested and found to comply with the limits for a Class-B digital device, pursuant to Part 15 of the FCC Rules. The limits are designed to provide reasonable protection against harmful interference in a residential installation. This equipment generates, uses and can radiate radio frequency energy and, if not installed and used in accordance with the instructions, may cause harmful interference to radio communication. However, there is no guarantee that harmful interference will not occur in a particular installation. If this equipment does cause harmful interference to radio or television reception, which can be determined by turning the equipment off and on, the user is encouraged to try to correct the interference by one or more of the following measures:

- Reorient or relocate the receiving antenna.
- Increase the separation between the equipment and receiver.
- Connect the equipment into an outlet on a circuit different from that to which the receiver is connected.
- Consult the dealer or an experienced radio/TV technician for help.

Caution: Any changes or modifications to this device not explicitly approved by the manufacturer could void your authority to operate this equipment.

This device complies with Part 15 of the FCC Rules. Operation is subject to the following two conditions: (1) This device may not cause harmful interference, and (2) This device must accept any interference received, including interference that may cause undesired operation.

INSTALLATION GUIDE

Recommended Tool List

Phillips screw driver, Hammer, Pencil, Measuring tape, Level, Drill and Ladder.

Package Contents

1 *Bluetooth*® Sound Art speaker.

1 Wall Charger.

1 Wall Mount Kit: Z bar (2 pieces), Z bar machine screws (2 pieces), and Wall Anchor Screws (2 pieces).

1 Installation guide & operating instructions document.

General Speaker Placement

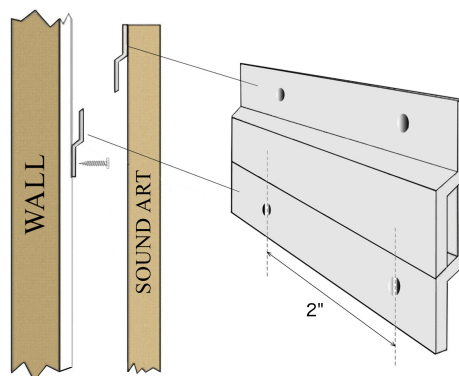
Because of the unique technology used in the design of your *Bluetooth*® Sound Art™ speaker, there is more flexibility in placing it relative to the primary listening area. In other words, the location of the speaker can be based on interior design requirements as well as acoustical considerations. However, do not place your Sound Art™ in corners, as this tends to create reverberation and sonic reflections.

Mounting Height

When determining the mounting height, simply follow the same principles that you normally do when hanging traditional artwork. The height of the speaker is conditional to the area. If it is to be located in a living room, dining room, or bedroom, where people are seated, then it should be hung at eye level. The eye will be drawn to the focus of interest in the art or picture, and sound will be at ear level. In hallways and entrance ways, consider the fact that people will be standing, and eye level (and ear level) will change accordingly.

Install the Mounting Brackets

- Determine the position on the wall where you would like the top of the speaker to be positioned and lightly mark the wall with a pencil at the center point of the top edge of the frame.
- Measure 1 1/8" below your pencil mark and draw a horizontal line using a level.
- Centrally and along this line mark the hole placements 2" apart.
- Attach the Z bar pieces to the wall and your speaker using the hardware provided as shown in the diagram below. Attach one piece of Z bar to the wall with the wall anchors and wall anchor screws provided. Attach the remaining Z bar piece to your speaker with the machine screws provided. Your speaker has metal screw inserts that allow you to hang it in a horizontal or vertical configuration. Choose the appropriate configuration according to the art on your speaker.
- To hang the speaker, gently slide the unit down the wall until the two sections of Z bar interlock. It is important to ensure that the top piece is fully seated with the bottom piece (you should feel the pieces sliding together).
- Gently pull down on the speaker to make sure that it is secure.



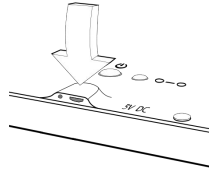
OPERATION

1) Charge it. Charger model SMC-5

It's recommended to charge your Bluetooth® Sound Art™ speaker unit completely after unpacking.

When powering on the speaker, and if the battery is low in charge, the Red LED (next to micro USB) and Blue LED (next to Power key) will blink together.

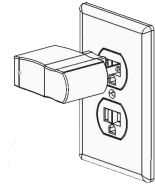
7 cbbYWhi hY' k U'' WUf[Yf
i b]hrc' Ub' 57' ci hYh' UbX' hc'
hY'a]Mfc' I G6' UW' cWUhx' cb'
fYUFYX[Y'cZgdYU_Yf''



micro USB jack



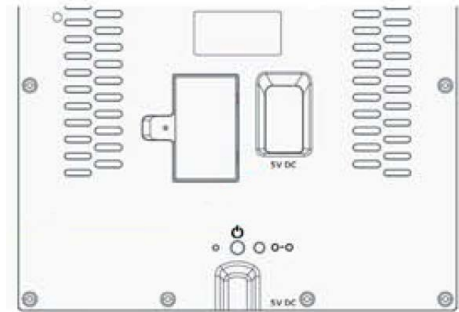
micro USB cable



Wall Charger

After charger cable is plugged into micro USB jack, the two LEDs will stop blinking. The Red LED will remain lighted. After the speaker has been charged, the Green LED will light. When the micro USB cable has been unplugged, the Green LED will turn off.

* Note- This SoundArt™ speaker has 2nd AUX DC power jack. If you prefer, it can be connected, by itself, to the wall charger permanently, without the need to re-charge. It is hidden on rear side of speaker cover, shown here.



Once your speaker is mounted on the wall or set on your desk, you may leave the unit ON. Your speaker will automatically enter a power saving mode when not in use.

Your Bluetooth® Sound Art™ speaker will give you many hours of enjoyable wireless play time on a single charge. When it's time to recharge, it will let you know by flashing its low battery indicator continuously.



Your Bluetooth® Sound Art™ speaker can be played and recharged at the same time.

2. QUICK USER GUIDE to help Connect and Play your Onsia® Sound Art™ loudspeaker that is 'TWS' (True Wireless Stereo) enabled.

Onsia® 'TWS' enabled loudspeakers:

- 12x18 (Bluetooth® ID: OSA1218)

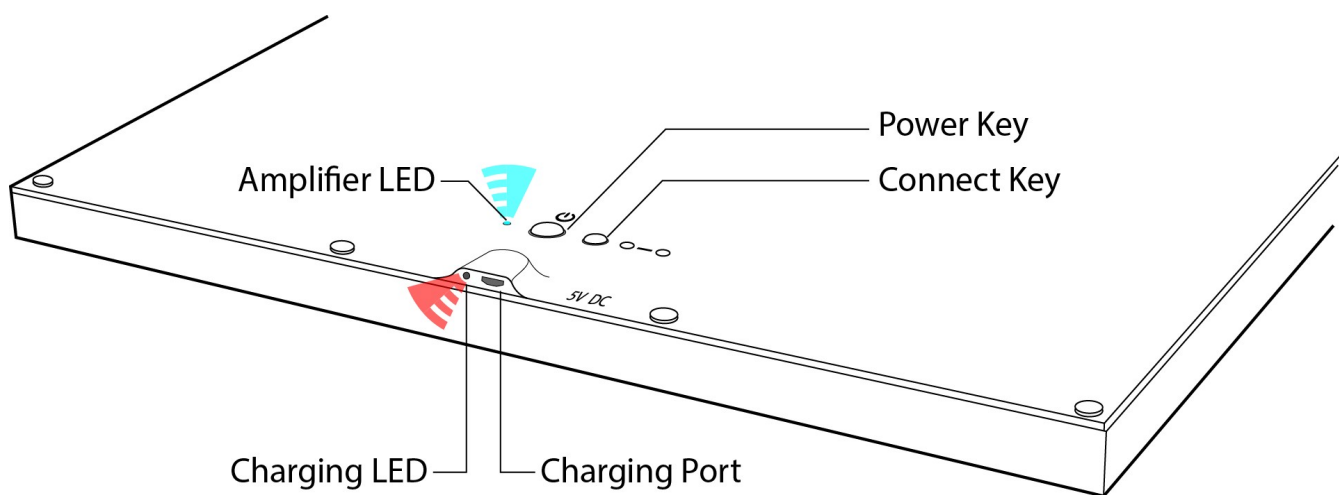
Onsia® Sound Art™ loudspeakers that are 'TWS' enabled, feature Bluetooth® version: 4.2 advanced circuitry.

Pairing Onsia® 'TWS' enabled Speaker(s) to mobile device via Bluetooth®

Before you begin:

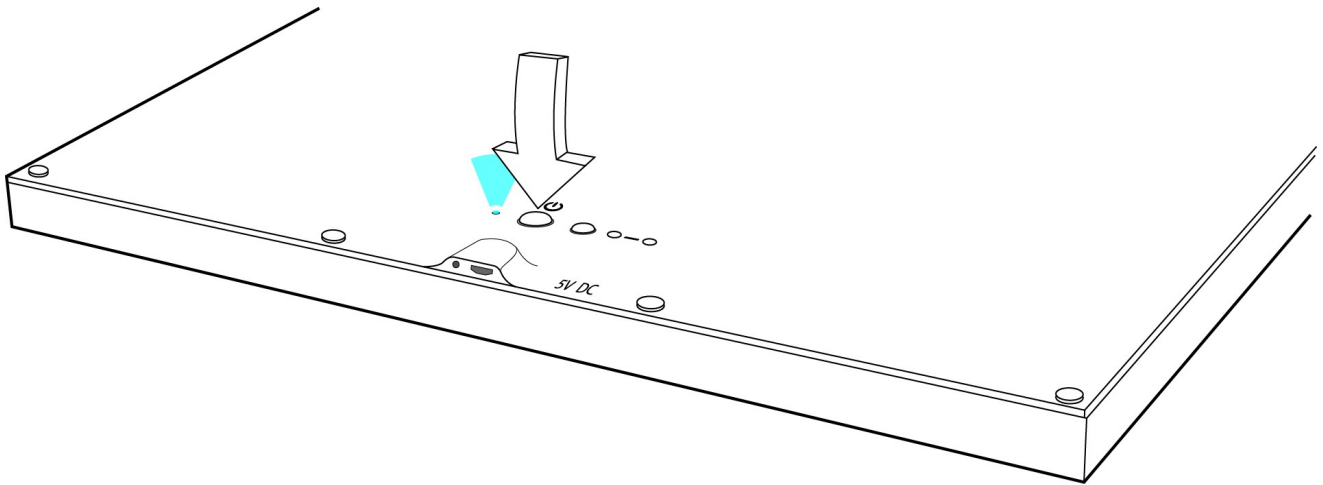
- Set your mobile device and Bluetooth® speaker at least three feet (one meter) apart.
- Turn **OFF** your **Onsia® Sound Art™** Bluetooth® speaker, if it is not already **OFF**.
- Disconnect other Bluetooth® devices from your mobile device.


Getting familiar with your Onsia® speaker:



To connect only one 'TWS' enabled Onsia® speaker to your mobile device:

1. Turn on speaker by pressing POWER key for approximately one second. Amplifier LED (Blue in color) will light.

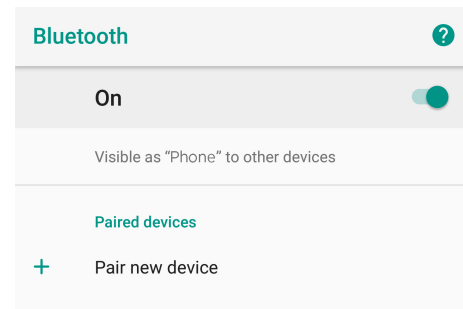


2. Turn ON the **Bluetooth®** function for your Bluetooth® enabled phone or other device by Going to Settings (Gear Icon on some devices ) on your mobile device and select Bluetooth®. You will NOT discover the Onsia® 'TWS' speaker in the list of discoverable devices.

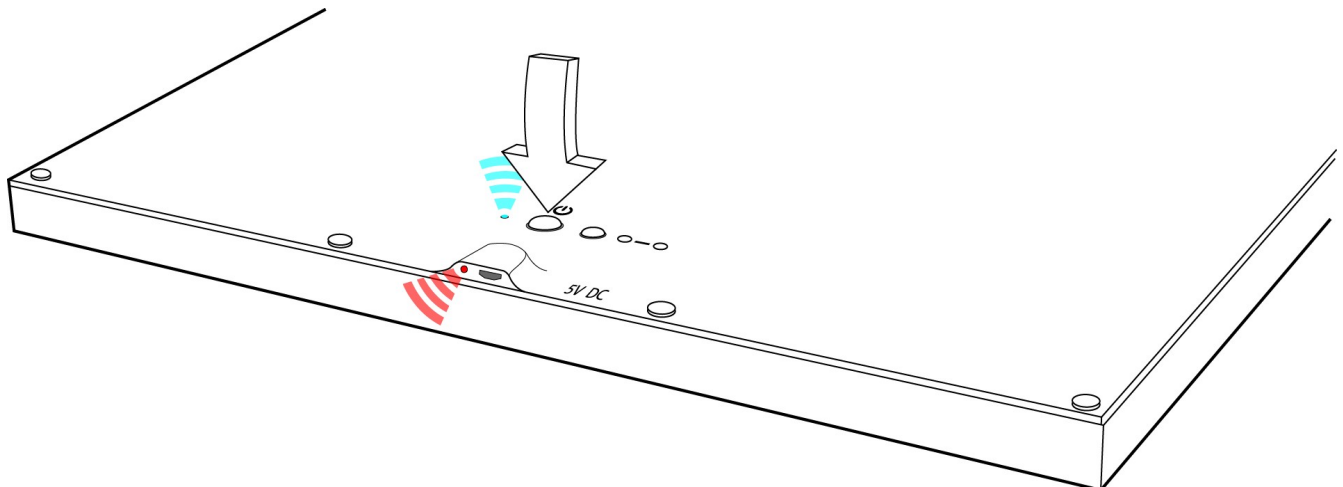


◀ iOS

Android ▶



3. Press the speaker POWER key for approximately one second. The Amplifier's LED (Blue in color) and Charging LED (Red in color, near Charging port) will begin blinking.

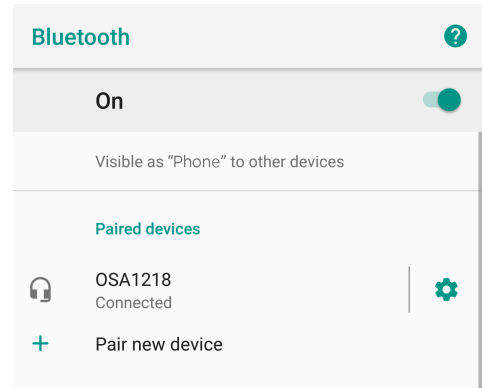


- You can now discover the Onsia® speaker ID on your Bluetooth® enabled phone or device. Select the Onsia® speaker Bluetooth® ID from devices list for pairing and connecting. The speaker LED will stop blinking. You can now play from the Onsia® loudspeaker.



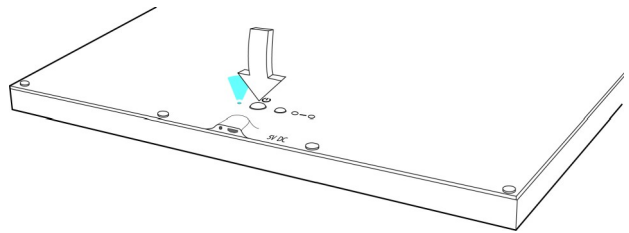
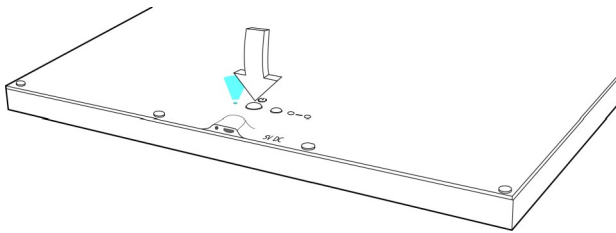
◀ iOS

Android ▶

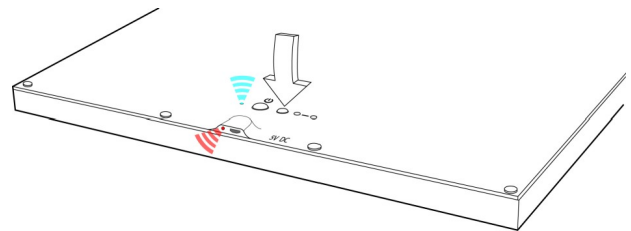
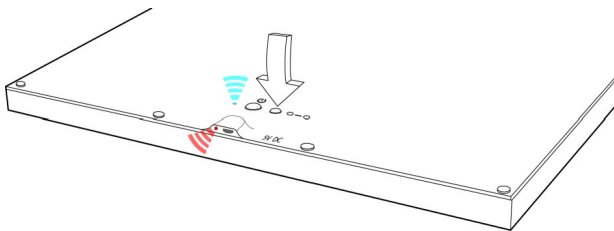


To connect two 'TWS' enabled Onsia® speakers to your mobile device:

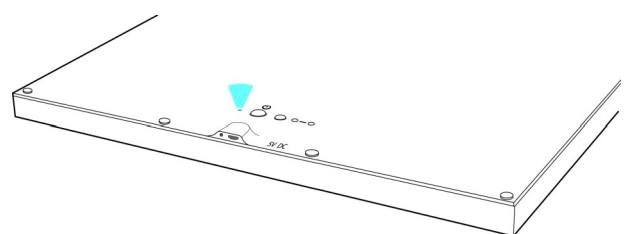
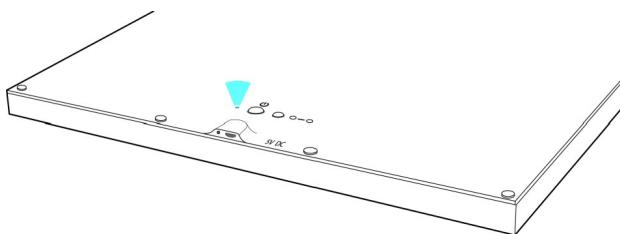
- Turn on each 'TWS' speaker by pressing its POWER key for approximately one second. Amplifier LED (Blue in color) will light on both speakers.




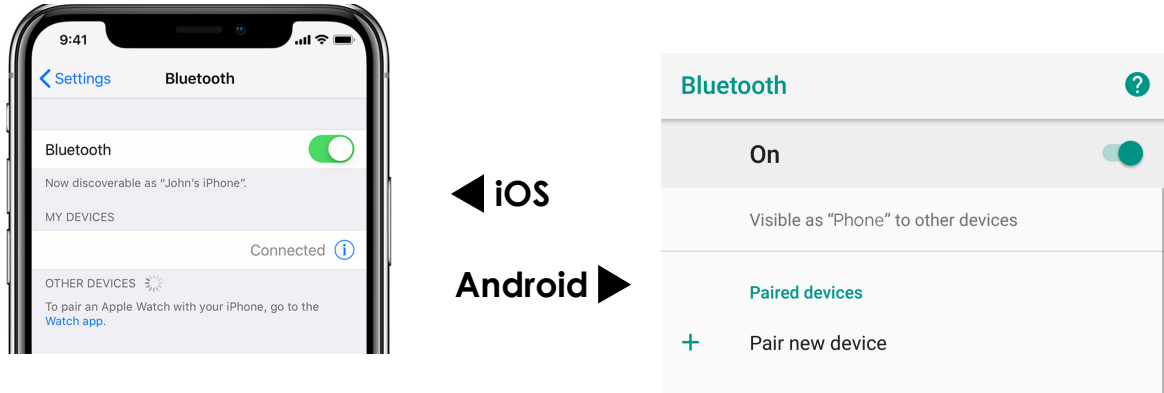
- Press and hold the CONNECT key for approximately three seconds on one 'TWS' speaker. Its Amplifier LED (Blue in color) and Charging LED (Red in color, near Charging port) will blink. On the second 'TWS' speaker, also press and hold the CONNECT key for approximately three seconds.



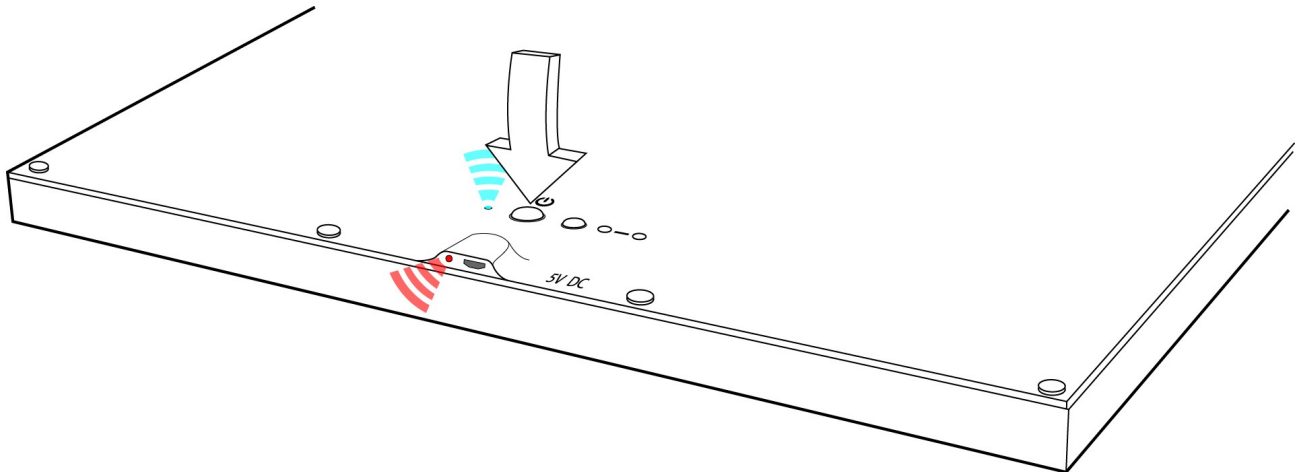
- The two 'TWS' speakers will connect to each other via Bluetooth®, there will be an audible tone, and both speaker's Amplifier LED's will stop blinking, both speaker's Amplifier LED's will remain lit solid Blue.



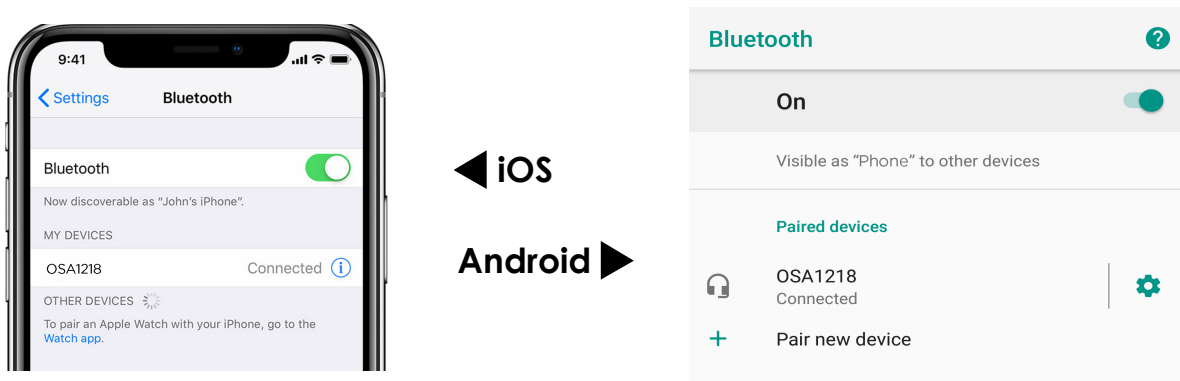
- Turn ON the **Bluetooth®** function for your Bluetooth® enabled phone or other device by going to Settings (Gear Icon on some devices ) on your mobile device and select Bluetooth®. You will NOT discover the 'TWS' speakers in the list of discoverable devices.



- Press the 'TWS' speaker's POWER key for approximately one second on the 'TWS' speaker you prefer to pair to device (such as your phone). This speaker's Amplifier LED (Blue in color) and Charging LED (Red in color, near Charging port) will begin blinking, indicating it is now able to be paired to your device.



- You can now discover the Onsia® speaker's ID on your Bluetooth® enabled phone or device. Select the Onsia® speaker's Bluetooth® ID from devices list for pairing and connecting. The connected Onsia® speaker's LED's will stop blinking. You can now play in TRUE stereo mode on both Onsia® speakers.



NOTE: You ONLY need to connect to one speaker with your Bluetooth® device (example: phone) The two speakers will automatically connect to each other & play in stereo, using their 'TWS' enabled circuit.

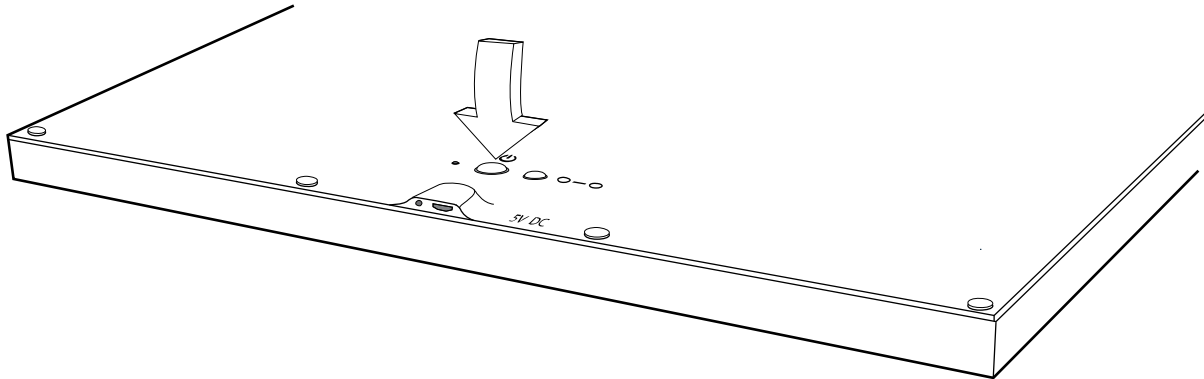
Turning Of Onsia® TWS' enabled speakers:

If playing only one 'TWS' speaker:

Press POWER key on the one speakers for approximately three seconds. It will turn OFF.

If using playing two paired 'TWS' speakers:

Press POWER key on one of the speakers for approximately three seconds. Both speakers will turn OFF at same time.



*If a single speaker or two paired 'TWS' speakers are powered OFF, then ON again, they will automatically connect to last connect on device if the device (phone) is in range. If not, new pairing and connecting again will be required.

If you have an Onsia® 'TWS' speaker now and wish to add a second to enable the 'TWS' real stereo play, its important to disconnect the current, single, 'TWS' speaker from your phone, TURN OFF Bluetooth® on phone, then begin this process for connecting and playing two 'TWS' speakers. NOTE: Its important to follow these steps to avoid problems connecting or playing.

TROUBLESHOOTING GUIDE

If your speaker appears to have a problem, the following notes may help. If the problem still persists after having attempted to resolve it, consult your dealer for assistance or contact customer support at ONSIA® through www.onsia.com or by calling customer service at: 1- 800 279-7686

Symptom	Possible Cause
No sound at all	<ul style="list-style-type: none"> -Check speaker is powered ON. -Check volume and mute settings on music source device. -Check device is paired. -Recharge speaker. -Reset speaker. Slide power switch to the "OFF" position and then back to the "ON" position.
Unable to pair device	<ul style="list-style-type: none"> -Check speaker is powered ON. -Make sure speaker is not paired to another device. -Place music source device in direct line of sight and within 20 feet. Objects, walls, and moving persons may reduce wireless operating range. -Reset speaker. Slide power switch to the "OFF" position and then back to the "ON" position.
Music breaks, device disconnects	<ul style="list-style-type: none"> -Place music source device in direct line of sight and within 20 feet. Objects, walls, and moving persons may reduce wireless operating range. -If using a streaming music service, try playing music stored in music source device instead.
Distortion at high volume levels	<ul style="list-style-type: none"> -Check the recording quality of the music material. -Recharge speaker if LED power indicator is flashing.

SPECIFICATIONS (OSA1218)

Battery Life: 6-8 hours {50% volume level} Will vary, depending upon audio content.

Standby Time: 30 days

Charging Time: 4 Hours

Audio Output Power: 3W (THD 10%), 2W (THD 1%)

Frequency Range: 65Hz to 6 kHz

TWS (True Wireless Stereo)

Speaker Design: Distributed Mode

Sound dispersion Angle: 170°

Bluetooth Version: 4.2

Maximum Wireless Range: 33 feet under ideal conditions (direct line of sight)

Battery: Li-Ion

Wall Charger Input: 100V to 240V AC 50/60Hz 1.0A max

Output - 5V DC 1000mA

PRODUCT CARE

Do not use any solvents or liquids to clean your *Bluetooth®* Sound Art™ speaker. Simply dust unit with a dry piece of cloth.

WARRANTY INFORMATION

Onsia® warrants its *Bluetooth®* Sound Art™ speaker products to be free from defects in material and workmanship for one year from the date of purchase. This product contains no user serviceable parts. *DO NOT attempt to open, dismantle, disassemble or modify the unit; doing so will void its warranty.* Except where prohibited by applicable law, this warranty is nontransferable and is limited to the original purchaser. This warranty gives you specific legal rights and you may also have other rights that vary under local laws.

In the event of a defect, Onsia® will, at its option, repair or replace the product with no charge to the purchaser for parts or labor. The repaired or replaced product will be warranted for 90 days from the date of return shipment or for the balance of the original warranty, whichever is longer.

To obtain warranty service, the purchaser must call ONSIA® at 1 (800) 279-7686. To obtain a return authorization, the purchaser must provide a copy of the original sales receipt. The purchaser must return the product postpaid with the purchaser's return address and the return authorization information clearly printed on the outside of the package to the Authorized ONSIA® Service Center provided. Dedicated Sound and Audio will not be responsible for any losses or damage to the product incurred while the product is in transit or is being shipped for repair. Insurance is highly recommended.



www.onsia.com

©2016 Dedicated Sound and Audio, Inc. All rights reserved. The ONSIA® logo, ONSIA®, Art Never Sounded So Good™, Sound Art™, and Your Wall. Your Sound. Your Art.™ are trademarks owned by Dedicated Sound and Audio, Inc. The Bluetooth® word mark and logos are registered trademarks owned by Bluetooth SIG, Inc. and any use of such marks by Dedicated Sound and Audio, Inc. is under license.